

LOC		DIST		REVISIONS			
AD	00	REV	DATE	DESCRIPTION	DATE	BY	APPV
A3		REVISED PER ECO-10-019941	16FEB11			HMR	MM



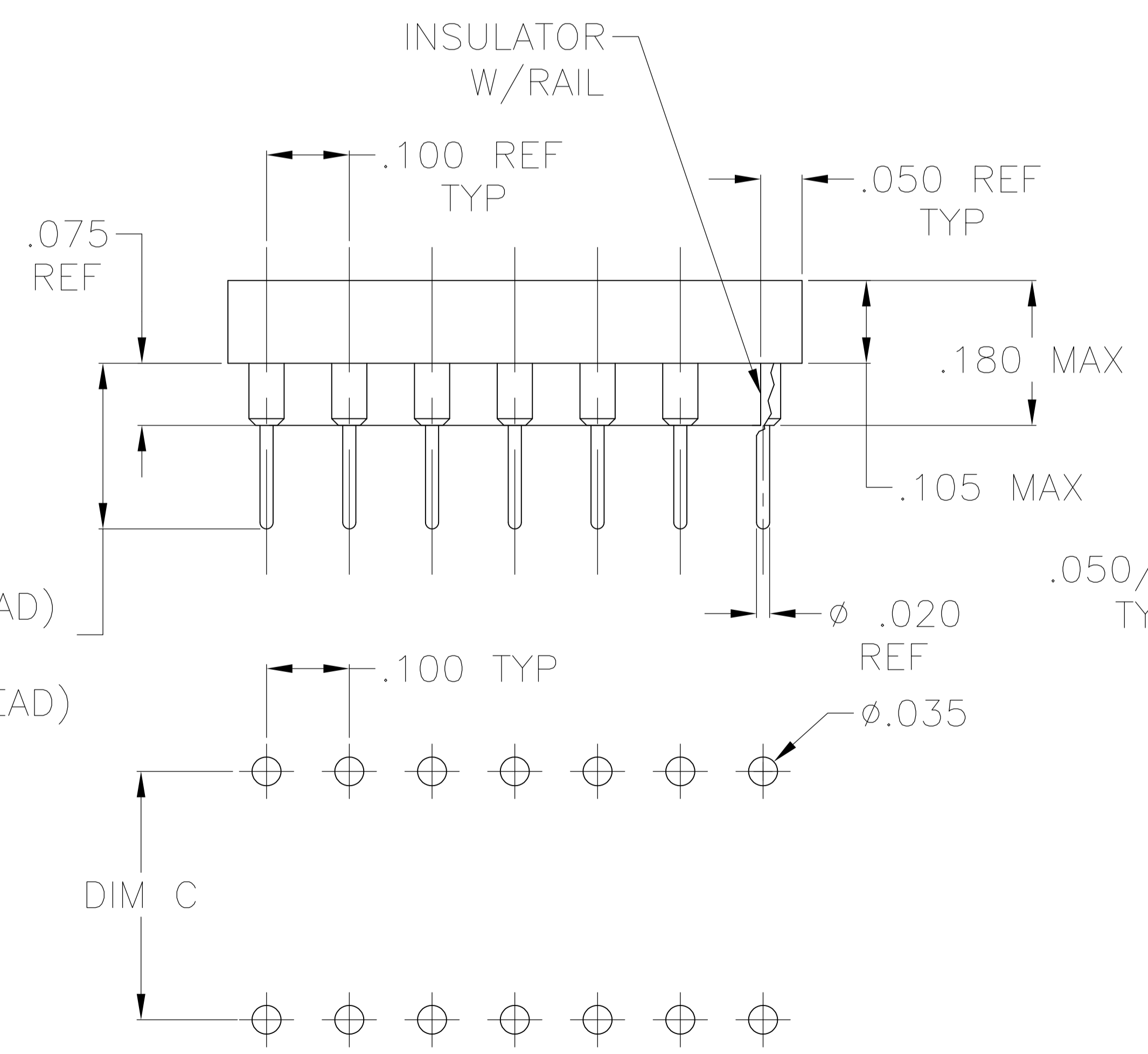
FIG. 1



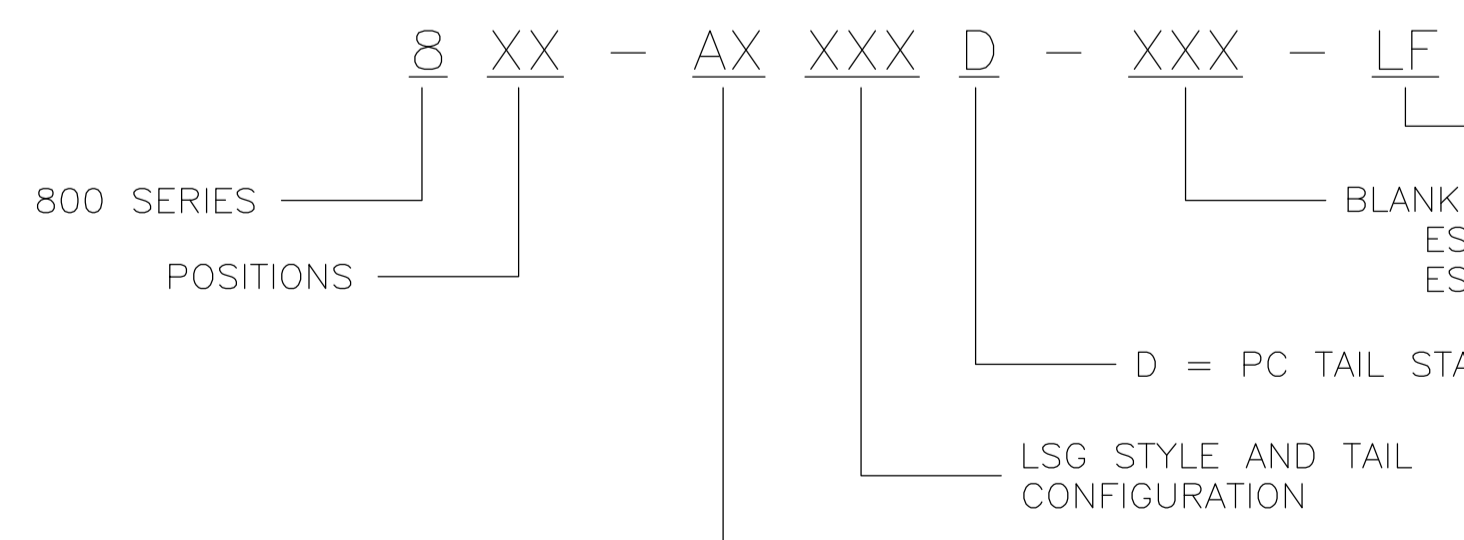
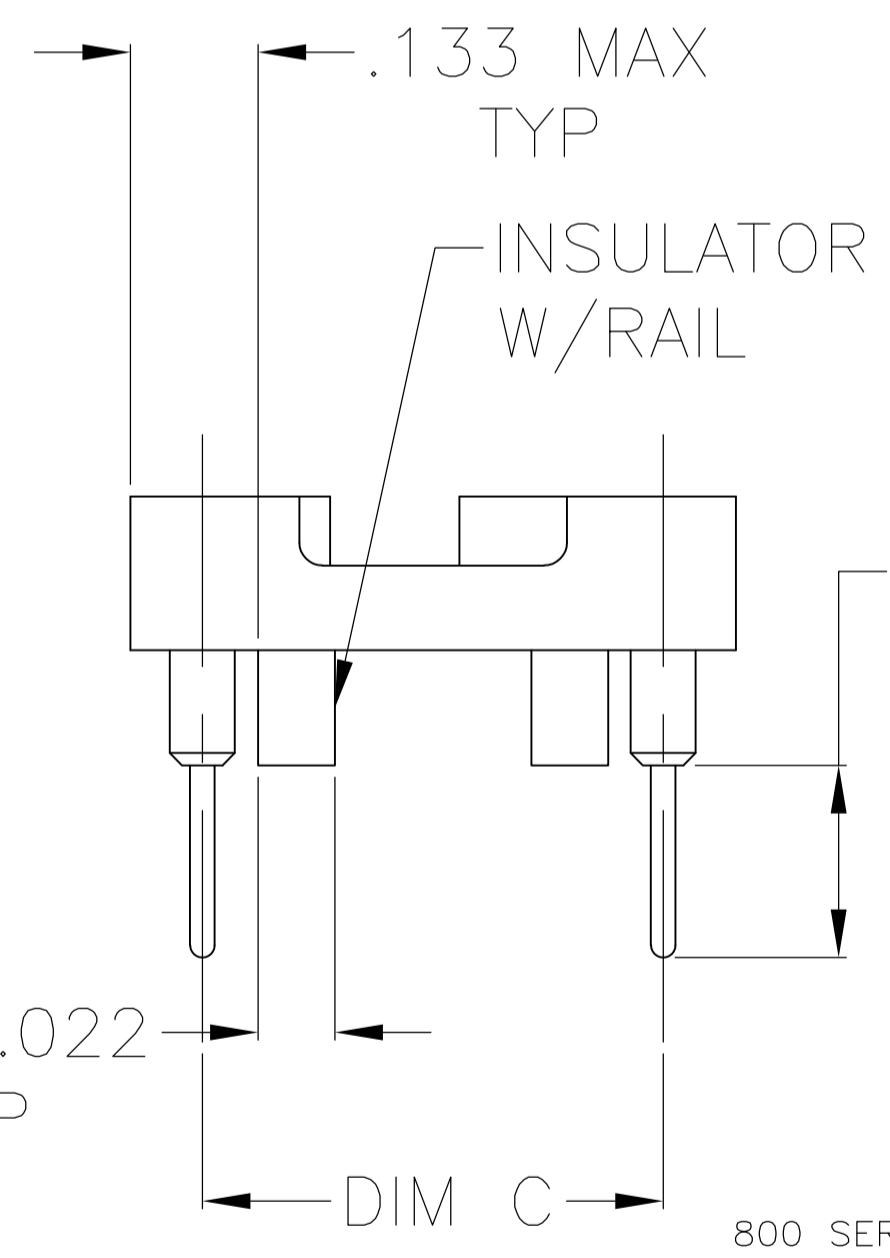
FIG. 2



FIG. 3
(8 POS ONLY)



.210/.180
(STD .125 PC LEAD)
.265/.235
(LONG .180 PC LEAD)



1 **MATERIALS:**
INSULATOR: POLYESTER, UL RATED 94V-0
CONTACT:
800 & 1800 SERIES CONTACT: 4 BEAM, COPPER ALLOY, MACHINED (PREMIUM VERSION) OR FORMED (ECONOMY VERSION, WITH SUFFIX -ES OR -ESL).
800 SERIES HIGH RETENTION CONTACT: 4 BEAM, COPPER ALLOY, MACHINED.
1000 SERIES CONTACT: 6 BEAM, COPPER ALLOY, MACHINED (LOW INSERTION FORCE SERIES)
SLEEVE- ALL SERIES: COPPER ALLOY, FORMED

2 **ELECTRICAL:**
CONTACT RESISTANCE: 10 MILLIOHMS MAX
CONTACT RATING: 3 AMPS
CAPACITANCE: 1.0 pF PER MIL-STD-202, METHOD 305
INSULATION RESISTANCE: 5000 OHMS MIN @ 500 VDC PER MIL-STD-1344, METHOD 3003.1
DIELECTRIC WITHSTANDING VOLTAGE: 1000 VOLTS (RMS) PER MIL-STD-1344, METHOD 3001.1

3 **MECHANICAL:**
AFTER INSERTION FORCE: 37 GRAMS AVG (6 BEAM CONTACT) 134 GRAMS AVG (4 BEAM PREMIUM) 179 GRAMS AVG (4 BEAM ECONOMY) AND 334 GRAMS AVG (HIGH RETENTION)
AFTER WITHDRAWAL FORCE: 15 GRAMS AVG (6 BEAM CONTACT) 63 GRAMS AVG (4 BEAM PREMIUM OR ECONOMY) AND 245 GRAMS AVG (HIGH RETENTION)

4 **ENVIRONMENTAL:**
OPERATING TEMPERATURE: -55°C TO -105°C

5 **PLATING:** 25μ" MIN GOLD OVER 50μ" MIN NICKEL CONTACT WITH 5μ" MIN GOLD OVER 50μ" MIN NICKEL SLEEVE.

6 **PLATING:** 25μ" MIN GOLD OVER 50μ" MIN NICKEL CONTACT WITH 80μ" MIN TIN-LEAD OVER 50μ" MIN COPPER SLEEVE.

7 **PLATING:** 80μ" MIN TIN-LEAD OVER 75μ" MIN COPPER CONTACT WITH 180μ" MIN TIN-LEAD OVER 75μ" MIN NICKEL SLEEVE.

8 **PLATING:** 5μ" MIN GOLD FLASH OVER 50μ" MIN NICKEL CONTACT WITH 5μ" MIN GOLD FLASH OVER 50μ" MIN NICKEL SLEEVE.

9 **PLATING:** 5μ" MIN GOLD FLASH OVER 50μ" MIN NICKEL CONTACT WITH 80μ" MIN TIN-LEAD OVER 50μ" MIN COPPER SLEEVE.

10 **PLATING:** 7.5μ" MIN GOLD OVER 50μ" MIN NICKEL CONTACT WITH 80μ" MIN TIN-LEAD OVER 50μ" MIN COPPER SLEEVE.

11 PRELIMINARY PART - NOT RELEASED FOR PRODUCTION.

12 806-AGXXD-XXX SERIES IS SUPERSEDED BY 506-AGXXD-XXX SERIES (REFER TO CUSTOMER DRAWING 1437532-2)

13 **PLATING:** 25μ" MIN GOLD OVER 50μ" MIN NICKEL CONTACT WITH 80μ" MIN MATTE TIN OVER 50μ" MIN COPPER SLEEVE.

14 **PLATING:** 80μ" MIN MATTE TIN OVER 75μ" MIN COPPER CONTACT WITH 180μ" MIN MATTE TIN OVER 75μ" MIN NICKEL SLEEVE.

15 **PLATING:** 5μ" MIN GOLD FLASH OVER 50μ" MIN NICKEL CONTACT WITH 80μ" MIN MATTE TIN OVER 50μ" MIN COPPER SLEEVE.

16 **PLATING:** 7.5μ" MIN GOLD OVER 50μ" MIN NICKEL CONTACT WITH 80μ" MIN MATTE TIN OVER 50μ" MIN COPPER SLEEVE.

17 **OBsolete PARTS:** OBSOLETE CIS STREAMLINING PER D.RENAUD/D.SINISI

AG = INSULATOR
AR = INSULATOR WITH RAILS
(ALMOST RUN THE LENGTH UNDER THE INSULATOR INSIDE THE CONTACT ROWS, .075 REF HIGH & .045 REF WIDE)

THIS DRAWING IS A CONTROLLED DOCUMENT.		DIN R BROWN 06MAY04	Tyco Electronics Tyco Electronics Corporation Harrisburg, Pa 17105-3608
DIMENSIONS: INCHES		CHK K WRIGHT 06MAY04	
TOLERANCES UNLESS OTHERWISE SPECIFIED:		APVD K WRIGHT 06MAY04	NAME
0 PLC ± -	1 PLC ± -	2 PLC ± -	3 PLC ± .005
4 PLC ± -	ANGLES ± -	APPLICATION SPEC	
MATERIAL		SIZE CAGE CODE DRAWING NO	
FINISH		A1 00779 C=1437539-2	
CUSTOMER DRAWING		SCALE 1:1	SHEET 1 OF 4 REV A3

LOC		DIST		REVISIONS				
AD	00	F	LTR	DESCRIPTION	DATE	DN	APVD	
		-	-	SEE SHEET 1	-	-	-	

800 SERIES MACHINED PREMIUM CONTACT LEAD FREE PART NUMBER TABLE

COMMENTS	PLATING	C	B	A	FIG	AUGAT PART NO.	TE PART NO.
	13	.895/.905	1.000	3.200	2	864-AG34D-LF	5-6437538-4
	13	.595/.605	.700	2.400	2	848-AG34D-LF	9-1437538-5
OBSOLETE	13					840-AR11D-LF	8-1437538-6
	14	.595/.605	.700	2.000	2	840-AG43D-LF	8-1437538-4
	13					840-AG34D-LF	8-1437538-3
	14	.595/.605	.700	1.600	2	832-AG38D-LF	9-6437533-4
	13					832-AG34D-LF	2-6437538-5
OBSOLETE	14					828-AR12D-LF	6-6437538-9
OBSOLETE	13	.595/.605	.700	1.400	1	828-AR11D-LF	1-6437538-6
	14					828-AG43D-LF	6437538-4
OBSOLETE	13					828-AG34D-LF	1-6437538-3
	13	.295/.305	.400	1.200	1	824-AR31D-LF	5-6437538-1
OBSOLETE	13	.595/.605	.700	1.200	1	824-AR11D-LF	9-6437537-9
	13	.295/.305	.400	1.200	1	824-AG47D-LF	9-6437537-7
OBSOLETE	14	.395/.405	.500	1.200	1	824-AG446D-LF	9-6437537-6
	13	.595/.605	.700	1.200	1	824-AG34D-LF	9-6437537-5
	14					824-AG338D-LF	9-6437537-4
	13	.295/.305	.400	1.200	1	824-AG334D-LF	9-6437537-3
	14	.295/.305	.400	1.000	1	820-AG43D-LF	7-6437537-3
	13					820-AG34D-LF	7-6437537-2
OBSOLETE	13	.295/.305	.400	.900	1	818-AR44D-LF	4-6437539-9
OBSOLETE	13					818-AR11D-LF	6-6437537-2
OBSOLETE	13					816-AR11D-LF	5-6437537-4
	13	.295/.305	.400	.800	1	816-AG34D-LF	5-6437537-1
OBSOLETE	13					814-AR11D-LF	3-6437537-5
	14	.295/.305	.400	.700	1	814-AG43D-LF	3-6437537-2
	13					814-AG34D-LF	3-6437537-1
OBSOLETE	13	.295/.305	.400	.400	3	808-AR11D-LF	1-6437537-9
	14					808-AG43D-LF	6437537-5
	13					808-AG34D-LF	6437537-4

800 SERIES MACHINED PREMIUM CONTACT PART NUMBER TABLE

COMMENTS	PLATING	C	B	A	FIG	AUGAT PART NO.	TE PART NO.
	6	.295/.305	.400	1.200	1	824-AR31D	0-1437538-1
OBSOLETE	6	.595/.605	.700	1.200	1	824-AR11D	9-1437537-9
OBSOLETE	6	.395/.405	.500	1.200	1	824-AG66D	9-1437537-8
	6	.295/.305	.400	1.200	1	824-AG47D	9-1437537-7
	5	.595/.605	.700	1.200	1	824-AG45D	6-1437538-6
OBSOLETE	7	.395/.405	.500	1.200	1	824-AG446D	9-1437537-6
	6	.595/.605	.700	1.200	1	824-AG34D	9-1437537-5
	5					824-AG33D	8-1437539-2
	7					824-AG338D	9-1437537-4
	6					824-AG334D	9-1437537-3
	7	.295/.305	.400	1.200	1	824-AG32D	9-1437537-2
	6					824-AG31D	8-1437537-9
	6					824-AG30D	8-1437537-7
	5	.395/.405	.500	1.200	1	824-AG14D	8-1437537-6
	7					824-AG12D	8-1437537-5
	6	.595/.605	.700	1.200	1	824-AG11D	8-1437537-2
	5					824-AG10D	8-1437537-1
	6	.295/.305	.400	1.100	1	822-AG11D	7-1437537-8
	5					822-AG10D	7-1437537-7
	6					820-AR11D	7-1437537-6
OBSOLETE	5					820-AG45D	7-1437537-5
	6					820-AG44D	7-1437537-4
	7	.295/.305	.400	1.000	1	820-AG43D	7-1437537-3
	6					820-AG34D	7-1437537-2
	7					820-AG12D	6-1437537-9
	6					820-AG11D	6-1437537-6
	5					820-AG10D	6-1437537-4
	6	.295/.305	.400	.900	1	818-AR44D	4-1437539-9
OBSOLETE	6					818-AR11D	6-1437537-2
	6					818-AG44D	6-1437537-1
	7					818-AG34D	5-1437538-8
	6					818-AG12D	6-1437537-0
	7					818-AG11D	5-1437537-7
	6					818-AG10D	5-1437537-6
	5					816-AR11D	5-1437537-4
OBSOLETE	6	.295/.305	.400	.800	1	816-AG45D	5-1437537-3
	6					816-AG44D	5-1437537-2
	5					816-AG34D	5-1437537-1
OBSOLETE	5					816-AG33D	5-1437537-0
	7					816-AG12D	4-1437537-6
	6					816-AG11D	4-1437537-0
	5					816-AG10D	3-1437537-7
	6					814-AR44D	5-1437533-2
	6					814-AR11D	3-1437537-5
	5					814-AG45D	3-1437537-4
OBSOLETE	6	.295/.305	.400	.700	1	814-AG44D	3-1437537-3
	5					814-AG43D	3-1437537-2
	6					814-AG34D	3-1437537-1
	7					814-AG12D	2-1437537-9
	6					814-AG11D	2-1437537-4
	5					814-AG10D	2-1437537-1
OBSOLETE	6					808-AR11D	1-1437537-9
	5					808-AG45D	1-1437537-8
OBSOLETE	6	.295/.305	.400	.400	3	808-AG44D	1-1437537-7
	7					808-AG43D	1-1437537-5
	6					808-AG34D	1-1437537-4
	7					808-AG12D	1-1437537-2
	6					808-AG11D	0-1437537-8
	5					808-AG10D	0-1437537-5
	6	.295/.305	.400	.300	-	806-AG11D	2-1437533-5
	5					806-AG10D	2-1437533-3

800 SERIES MACHINED PREMIUM CONTACT PART NUMBER TABLE

COMMENTS	PLATING	C	B	A	FIG	AUGAT PART NO.	TE PART NO.
	6	.895/.905	1.000	3.200	2	864-AG34D	5-1437538-4
OBSOLETE	7					864-AG12D	5-1437538-2
	6					864-AG11D	4-1437538-8
	5					864-AG10D	3-1437540-1
OBSOLETE	6	.595/.605	.700	2.400	2	848-AR11D	4-1437538-6
OBSOLETE	7					848-AG34D	4-1437538-5
	6					848-AG12D	4-1437538-4
	5					848-AG11D	4-1437538-1
OBSOLETE	7	.595/.605	.700	2.100	2	842-AG12D	3-1437538-8
OBSOLETE	6					842-AG11D	3-1437538-7
	6					840-AR11D	3-1437538-6
OBSOLETE	6	.595/.605	.700	2.000	2	840-AG44D	3-1437538-5
	7					840-AG43D	3-1437538-4
	6					840-AG34D	3-1437538-3
	7					840-AG12D	3-1437538-2
	6					840-AG11D	3-1437538-0
	5	.595/.605	.700	1.800	2	840-AG10D	2-1437538-9
	6					836-AG11D	2-1437538-7
	7					832-AR12D	9-1437533-7
OBSOLETE	7	.595/.605	.700	1.600	2	832-AG38D	9-1437533-4
	6					832-AG34D	2-1437538-5
	7					832-AG12D	2-1437538-4
	6					832-AG11D	2-1437538-2
	5					832-AG10D	2-1437538-1
OBSOLETE	7					828-AR12D	6-1437538-9
OBSOLETE	6					828-AR11D	1-1437538-6
	7	.595/.605	.700	1.400	1	828-AG44D	1-1437538-5
OBSOLETE	6					828-AG43D	1-1437538-4
	6					828-AG34D	1-1437538-3
	7					828-AG12D	1-1437538-0
	6					828-AG11D	0-1437538-4
	5					828-AG10D	0-1437538-3

THIS DRAWING IS A CONTROLLED DOCUMENT.

REVISIONS: R BROWN 06MAY04, K WRIGHT 06MAY04, K WRIGHT 06MAY04.

TOLERANCES UNLESS OTHERWISE SPECIFIED:
 0 PL ± .005
 1 PL ± .005
 2 PL ± .005
 3 PL ± .005
 4 PL ± .005
 ANGLES ± .005

APVD: K WRIGHT, PRODUCT SPEC, APPLICATION SPEC, SIZE: A1, CASE CODE: 00779, DRAWING NO: 1437539-2, RESTRICTED TO: CUSTOMER DRAWING, SCALE: 1:1, SHEET: 2 OF 4, REV: A3.

Tyco Electronics Corporation, Harrisburg, Pa 17105-3608.

DIP SOCKET, 800 SERIES.

800 SERIES STAMPED ECONOMY CONTACT LEAD FREE PART NUMBER TABLE

OBSOLETE	W/RAILS	PLATING	C	B	A	FIG	AUGAT PART NO.	TE PART NO.
OBSOLETE	W/RAILS						848-AR11D-ES-LF	8-1437540-0
OBSOLETE	W/RAILS						840-AR12D-ES-LF	6-6447099-8
OBSOLETE	W/RAILS						840-AR11D-ESL-LF	7-1437540-2
OBSOLETE	W/RAILS						840-AR11D-ES-LF	7-1437540-1
	.180 PC LEAD						840-AG44D-ESL-LF	7-1437540-0
OBSOLETE	W/RAILS						832-AR11D-ESL-LF	0-6437540-9
OBSOLETE	W/RAILS						832-AR11D-ES-LF	0-6437540-8
	.180 PC LEAD						832-AG44D-ES-LF	0-6437540-7
	.180 PC LEAD						832-AG43D-ES-LF	0-6437540-6
OBSOLETE	.180 PC LEAD W/RAILS						828-AR44D-ESL-LF	9-6437539-8
OBSOLETE	W/RAILS						828-AR12D-ES-LF	6-6447099-7
OBSOLETE	W/RAILS						828-AR11D-ES-LF	9-6437539-6
	.180 PC LEAD						828-AG44D-ES-LF	9-6437539-5
OBSOLETE	.180 PC LEAD W/RAILS						824-AR47D-ESL-LF	8-6437533-3
OBSOLETE	W/RAILS						824-AR31D-ES-LF	8-6437539-7
OBSOLETE	W/RAILS						824-AR12D-ES-LF	6-6447099-6
	.180 PC LEAD						824-AG44D-ESL-LF	8-6437539-3
	.180 PC LEAD						824-AG43D-ES-LF	8-6437539-2
OBSOLETE	W/RAILS						820-AR11D-ES-LF	5-6437539-8
OBSOLETE	W/RAILS						820-AR11D-ES-LF	5-6437539-7
OBSOLETE	W/RAILS						816-AR11D-ESL-LF	3-6437539-5
OBSOLETE	W/RAILS						816-AR11D-ES-LF	3-6437539-4
	.180 PC LEAD						816-AG44D-ESL-LF	3-6437539-2
OBSOLETE	W/RAILS						814-AR11D-ES-LF	2-6437539-2
OBSOLETE	W/RAILS						808-AR11D-ES-LF	1-6437539-0
	.180 PC LEAD						808-AG43D-ES-LF	6437537-6

800 SERIES STAMPED ECONOMY CONTACT PART NUMBER TABLE

OBSOLETE	W/RAILS	PLATING	C	B	A	FIG	AUGAT PART NO.	TE PART NO.
OBSOLETE	W/RAILS						864-AG12D-ES	5-1437538-3
							864-AG11D-ESL	5-1437538-0
							864-AG11D-ES	4-1437538-9
OBSOLETE	W/RAILS						864-AG10D-ES	3-1437540-2
OBSOLETE	W/RAILS						848-AR11D-ESL	6-1437540-2
							848-AR11D-ES	3-1437540-0
							848-AG12D-ES	2-1437540-8
							848-AG11D-ESL	4-1437538-2
							848-AG11D-ES	2-1437540-6
							848-AG10D-ES	2-1437540-5
OBSOLETE							842-AG11D-ESL	2-1437540-4
							842-AG11D-ES	2-1437540-3
	.180 PC LEAD W/RAILS S/B 2-1437540-0						840-AR44D-ESL	0-1437534-7
OBSOLETE	W/RAILS						840-AR12D-ES	6-1447099-8
OBSOLETE	W/RAILS						840-AR11D-ESL	2-1437540-2
OBSOLETE	W/RAILS						840-AR11D-ES	2-1437540-1
	.180 PC LEAD						840-AG44D-ESL	2-1437540-0
							840-AG12D-ES	1-1437540-9
							840-AG11D-ESL	1-1437540-7
							840-AG11D-ES	1-1437540-6
							840-AG10D-ES	1-1437540-4
OBSOLETE							836-AG12D-ES	1-1437540-2
							836-AG11D-ESL	1-1437540-1
							836-AG11D-ES	1-1437540-0
OBSOLETE	W/RAILS						832-AR11D-ESL	0-1437540-9
OBSOLETE	W/RAILS						832-AR11D-ES	0-1437540-8
	.180 PC LEAD S/B 1437540-1						832-AG45D-ESL	6-1437538-0
	.180 PC LEAD S/B 1437540-7						832-AG44D-ESL	9-1437533-5
OBSOLETE	.180 PC LEAD						832-AG44D-ES	0-1437540-7
							832-AG43D-ES	0-1437540-6
							832-AG12D-ES	0-1437540-5
							832-AG11D-ESL	0-1437540-3
							832-AG11D-ES	0-1437540-2
							832-AG10D-ES	0-1437540-1
OBSOLETE	.180 PC LEAD W/RAILS						828-AR44D-ESL	9-1437539-8
OBSOLETE	W/RAILS						828-AR12D-ES	6-1447099-7
OBSOLETE	W/RAILS						828-AR11D-ESL	9-1437539-7
OBSOLETE	W/RAILS						828-AR11D-ES	9-1437539-6
OBSOLETE	.180 PC LEAD						828-AG44D-ES	9-1437539-5
							828-AG12D-ES	9-1437539-4
							828-AG11D-ESL	9-1437539-2
							828-AG11D-ES	9-1437539-1
							828-AG10D-ES	8-1437539-9

800 SERIES STAMPED ECONOMY CONTACT PART NUMBER TABLE

OBSOLETE	W/RAILS	PLATING	C	B	A	FIG	AUGAT PART NO.	TE PART NO.
OBSOLETE	W/RAILS						864-AG12D-ES	5-1437538-3
							864-AG11D-ESL	5-1437538-0
							864-AG11D-ES	4-1437538-9
OBSOLETE	W/RAILS						864-AG10D-ES	3-1437540-2
OBSOLETE	W/RAILS						848-AR11D-ESL	6-1437540-2
							848-AR11D-ES	3-1437540-0
							848-AG12D-ES	2-1437540-8
							848-AG11D-ESL	4-1437538-2
							848-AG11D-ES	2-1437540-6
							848-AG10D-ES	2-1437540-5
OBSOLETE							842-AG11D-ESL	2-1437540-4
							842-AG11D-ES	2-1437540-3
	.180 PC LEAD W/RAILS S/B 2-1437540-0						840-AR44D-ESL	0-1437534-7
OBSOLETE	W/RAILS						840-AR12D-ES	6-1447099-8
OBSOLETE	W/RAILS						840-AR11D-ESL	2-1437540-2
OBSOLETE	W/RAILS						840-AR11D-ES	2-1437540-1
	.180 PC LEAD						840-AG44D-ESL	2-1437540-0
							840-AG12D-ES	1-1437540-9
							840-AG11D-ESL	1-1437540-7
							840-AG11D-ES	1-1437540-6
							840-AG10D-ES	1-1437540-4
OBSOLETE							836-AG12D-ES	1-1437540-2
							836-AG11D-ESL	1-1437540-1
							836-AG11D-ES	1-1437540-0
OBSOLETE	W/RAILS						832-AR11D-ESL	0-1437540-9
OBSOLETE	W/RAILS						832-AR11D-ES	0-1437540-8
	.180 PC LEAD S/B 1437540-1						832-AG45D-ESL	6-1437538-0
	.180 PC LEAD S/B 1437540-7						832-AG44D-ESL	9-1437533-5
OBSOLETE	.180 PC LEAD						832-AG44D-ES	0-1437540-7
							832-AG43D-ES	0-1437540-6
							832-AG12D-ES	0-1437540-5
							832-AG11D-ESL	0-1437540-3
							832-AG11D-ES	0-1437540-2
							832-AG10D-ES	0-1437540-1
OBSOLETE	.180 PC LEAD W/RAILS						828-AR44D-ESL	9-1437539-8
OBSOLETE	W/RAILS						828-AR12D-ES	6-1447099-7
OBSOLETE	W/RAILS						828-AR11D-ESL	9-1437539-7
OBSOLETE	W/RAILS						828-AR11D-ES	9-1437539-6
OBSOLETE	.180 PC LEAD						828-AG44D-ES	9-1437539-5
							828-AG12D-ES	9-1437539-4
							828-AG11D-ESL	9-1437539-2
							828-AG11D-ES	9-1437539-1
							828-AG10D-ES	8-1437539-9

THIS DRAWING IS A CONTROLLED DOCUMENT.

DIN R BROWN 06MAY04
 CHK K WRIGHT 06MAY04
 NAME K WRIGHT 06MAY04

Tyco Electronics
 Tyco Electronics Corporation
 Harrisburg, Pa 17105-3608

DIP SOCKET, 800 SERIES

SIZE: CASE CODE: DRAWING NO: 1437539-2
 WEIGHT: A1 00779

CUSTOMER DRAWING SCALE: 1:1 SHEET 3 of 4 REV: A3

1000 SERIES MACHINED PREMIUM CONTACT, LOW INSERTION FORCE PART NUMBER TABLE

COMMENTS	PLATING	C	B	A	FIG	AUGAT PART NO.	TE PART NO.
S/B 4-1437538-8	6	.895/.905	1.000	3.200	2	1064-AG11D	2-1437529-4
S/B 3-1437540-1	5	.895/.905	1.000	3.200	2	1064-AG10D	2-1437529-3
S/B 3-1437538-0	6	.595/.605	.700	2.000	2	1040-AG11D	2-1437529-2
S/B 2-1437538-2	6	.595/.605	.700	1.600	2	1032-AG11D	2-1437529-1
S/B 1437538-4	6	.595/.605	.700	1.400	1	1028-AG11D	1-1437529-9
S/B 8-1437537-9	6	.295/.305	.400	1.200	1	1024-AG31D	1-1437529-8
S/B 8-1437537-2	6	.595/.605	.700	1.200	1	1024-AG11D	1-1437529-6
S/B 8-1437537-1	5	.595/.605	.700	1.200	1	1024-AG10D	1-1437529-5
S/B 6-1437537-6	6	.295/.305	.400	1.000	1	1020-AG11D	1-1437529-4
S/B 6-1437537-4	5	.295/.305	.400	1.000	1	1020-AG10D	1-1437529-3
S/B 5-1437537-7	6	.295/.305	.400	.900	1	1018-AG11D	1-1437529-2
S/B 5-1437537-6	5	.295/.305	.400	.900	1	1018-AG10D	1-1437529-1
S/B 4-1437537-0	6	.295/.305	.400	.800	1	1016-AG11D	1-1437529-0
S/B 3-1437537-7	5	.295/.305	.400	.800	1	1016-AG10D	0-1437529-9
S/B 2-1437537-4	6	.295/.305	.400	.700	1	1014-AG11D	0-1437529-7
S/B 2-1437537-1	5	.295/.305	.400	.700	1	1014-AG10D	0-1437529-6
S/B 1437537-8	6	.295/.305	.400	.400	3	1008-AG11D	0-1437529-5
S/B 1437537-5	5	.295/.305	.400	.400	3	1008-AG10D	0-1437529-4

1800 SERIES MACHINED PREMIUM CONTACT, LOW GOLD PART NUMBER TABLE

	S/B 5-1437538-0	10	.895/.905	1.000	3.200	2	1864-AG111D	5-1437529-1
	S/B 6-1437540-2 W/RAILS	10	.595/.605	.700	2.400	2	1848-AR111D	5-1437529-0
	S/B 4-1437538-2	10	.595/.605	.700	2.100	2	1848-AG111D	4-1437529-9
	S/B 2-1437540-4	10	.595/.605	.700	2.100	2	1842-AG111D	4-1437529-8
	S/B 2-1437540-2 W/RAILS	10	.595/.605	.700	2.000	2	1840-AR111D	4-1437529-7
	S/B 1-1437540-7	10	.595/.605	.700	2.000	2	1840-AG111D	4-1437529-6
	S/B 1437540-3	10	.595/.605	.700	1.600	2	1832-AG111D	4-1437529-5
	S/B 9-1437539-7 W/RAILS	10	.595/.605	.700	1.400	1	1828-AR111D	4-1437529-4
	S/B 9-1437539-2	10	.595/.605	.700	1.400	1	1828-AG111D	4-1437529-3
	S/B 3-1437540-9 W/RAILS	10	.295/.305	.400	1.200	1	1824-AR131D	4-1437529-2
OBSOLETE	S/B 8-1437539-6 W/RAILS	10	.595/.605	.700	1.200	1	1824-AR111D	4-1437529-1
OBSOLETE	S/B 8-1437539-4	10	.395/.405	.500	1.200	1	1824-AG141D	4-1437529-0
	S/B 7-1437539-7	10	.295/.305	.400	1.200	1	1824-AG131D	3-1437529-9
	S/B 7-1437539-0	10	.595/.605	.700	1.200	1	1824-AG111D	3-1437529-8
	S/B 6-1437539-3	10	.395/.405	.500	1.100	1	1822-AG111D	3-1437529-7
	S/B 5-1437539-8 W/RAILS	10	.295/.305	.400	1.000	1	1820-AR111D	3-1437529-6
SUPERSEDED	S/B 5-1437539-3	10	.295/.305	.400	1.000	1	1820-AG111D	3-1437529-5
	S/B 4-1437539-8 W/RAILS	10	.295/.305	.400	.900	1	1818-AR111D	3-1437529-5
	S/B 4-1437539-4	10	.295/.305	.400	.900	1	1818-AG111D	3-1437529-3
OBSOLETE	S/B 3-1437539-5 W/RAILS	10	.295/.305	.400	.800	1	1816-AR111D	3-1437529-2
	S/B 2-1437539-9	10	.295/.305	.400	.800	1	1816-AG111D	3-1437529-1
	S/B 2-1437539-3 W/RAILS	10	.295/.305	.400	.700	1	1814-AR111D	3-1437529-0
	S/B 1-1437539-7	10	.295/.305	.400	.700	1	1814-AG111D	2-1437529-9
	S/B 1-1437539-1 W/RAILS	10	.295/.305	.400	.400	3	1808-AR111D	2-1437529-6
	S/B 1437539-6	10	.295/.305	.400	.400	3	1808-AG111D	2-1437529-5
OBSOLETE	S/B 1437539-8	10	.295/.305	.400	.300		1806-AG111D	0-1437535-2

THIS DRAWING IS A CONTROLLED DOCUMENT.		DIN R BROWN 06MAY04	Tyco Electronics Corporation Harrisburg, Pa 17105-3608	
DIMENSIONS: INCHES		CHK K WRIGHT 06MAY04	Tyco Electronics	
TOLERANCES UNLESS OTHERWISE SPECIFIED:		APVD K WRIGHT 06MAY04	NAME	
0 PLC ± .005		PRODUCT SPEC		
1 PLC ± .005		APPLICATION SPEC		
2 PLC ± .005		SIZE CASE CODE DRAWING NO		
3 PLC ± .005		WEIGHT		
4 PLC ± .005		A1 00779 1437539-2		
ANGLES ± .005		CUSTOMER DRAWING		
MATERIAL		SCALE 1:1 SHEET 4 OF 4 REV A3		